



SOUNDWELL®

<http://soundwell-cn.com>

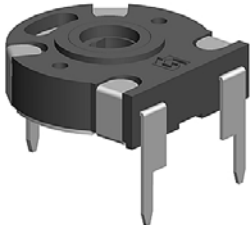
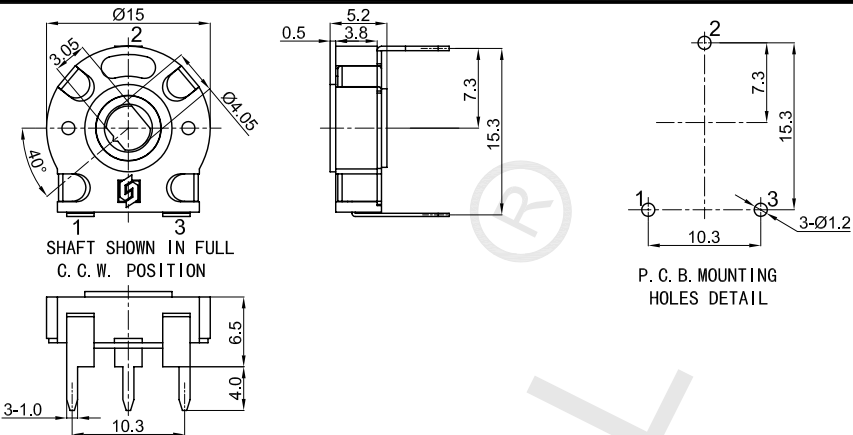

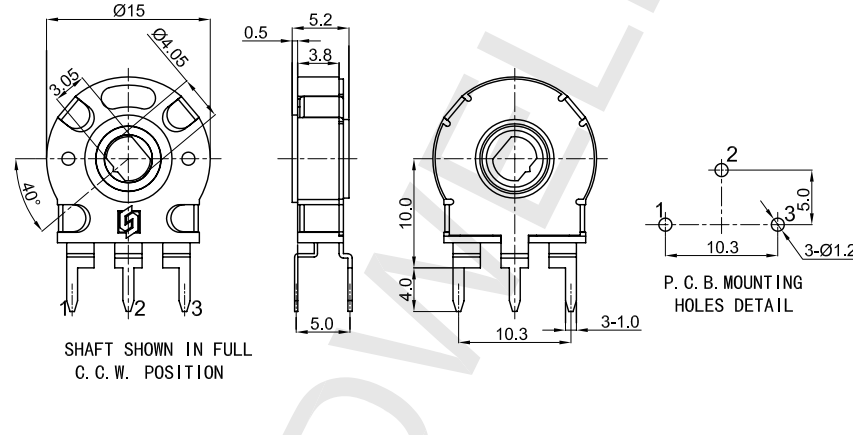

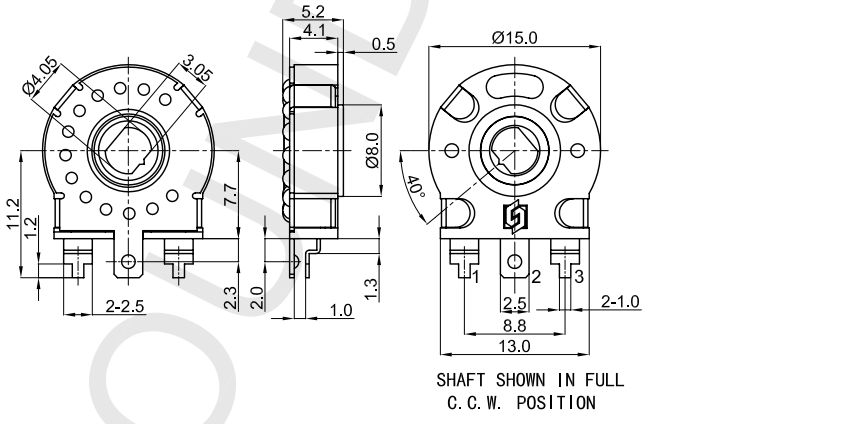
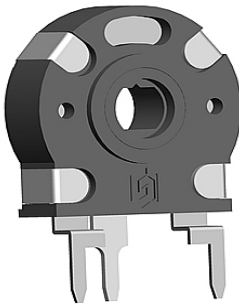
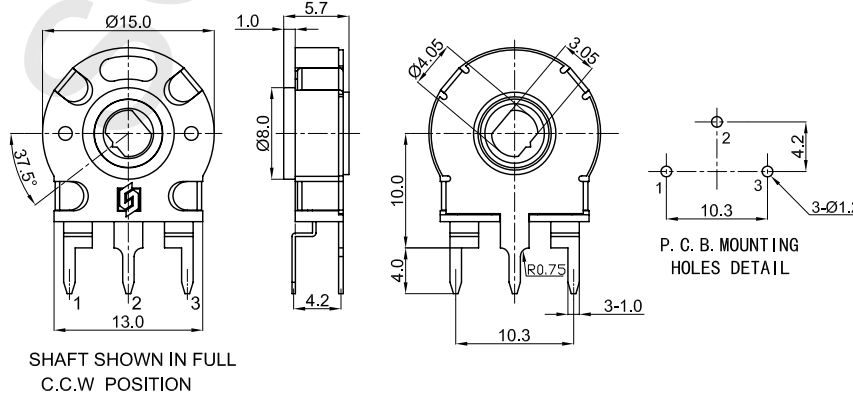
# PT15 Series POTENTIOMETER



企业微信，扫码有惊喜



升威官网，发现更多产品

MODEL 品名	DIMENSIONS 尺寸	UNIT:mm
<p>PT1501NOA0X-HA1</p> 	 <p>SHAFT SHOWN IN FULL C. C. W. POSITION</p> <p>P. C. B. MOUNTING HOLES DETAIL</p>	
<p>PT1501NOA0X-VA1</p> 	 <p>SHAFT SHOWN IN FULL C. C. W. POSITION</p> <p>P. C. B. MOUNTING HOLES DETAIL</p>	
<p>PT1501NOA0X-VD1</p> 	 <p>SHAFT SHOWN IN FULL C. C. W. POSITION</p> <p>P. C. B. MOUNTING HOLES DETAIL</p>	
<p>PT1501NOA0X-VC1</p> 	 <p>SHAFT SHOWN IN FULL C.C.W POSITION</p> <p>P. C. B. MOUNTING HOLES DETAIL</p>	