



SOUNDWELL®

http://soundwell-cn.com

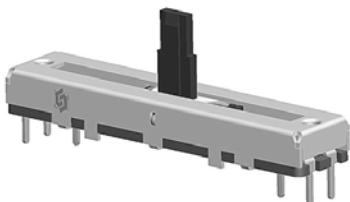
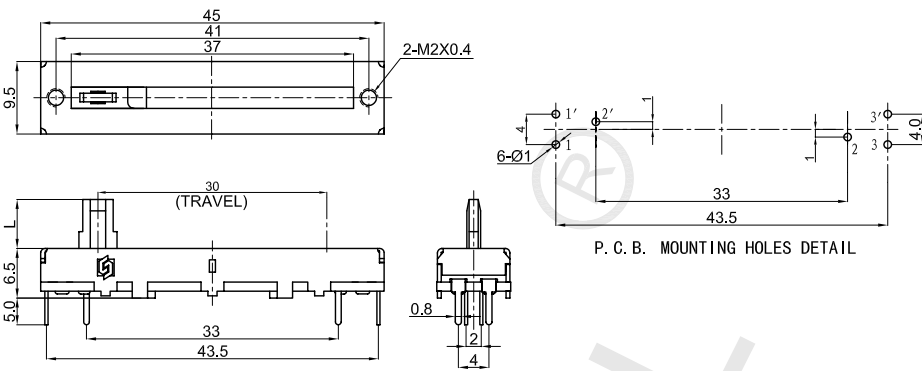
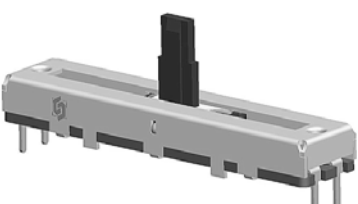
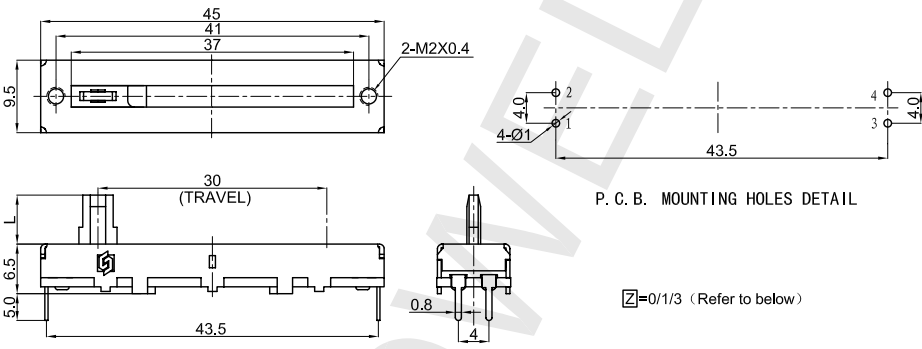
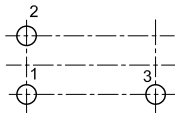
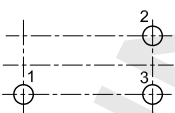
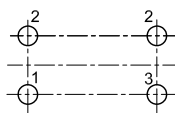
30mm Travel Series POTENTIOMETER



企业微信，扫码有惊喜



升威官网，发现更多产品

| MODEL 品名 | DIMENSIONS 尺寸 | UNIT:mm |
|---|--|---|
| <p>SC3004GOA0X-HA1</p>  |  <p>P. C. B. MOUNTING HOLES DETAIL</p> | |
| <p>SC3004NTA \squareX-HA1</p>  |  <p>P. C. B. MOUNTING HOLES DETAIL</p> <p>\square=0/1/3 (Refer to below)</p> | |
| P.C.B. MOUNTING HOLE DETAIL (FOR SC Series) | | |
|  <p>Z CODE 0</p> |  <p>Z CODE 1</p> |  <p>Z CODE 3</p> |